

TECHNICAL DATA

S275 Coolant Level Switch – Capacitance Type

FOZMULA
INNOVATION IN SENSORS



The **S275** is an active device designed to give an alarm signal if liquid falls below, or rises above, a preset level. It can be specified with a delay to eliminate false alarms due to turbulence.

Containing a factory programmable microprocessor, the switch provides source voltage output. Its small footprint with limited intrusion into the tank means a reduced risk of damage and a wide range of customer specifiable options make it suitable for most applications.

The switch is designed to operate in both earthed metal and isolated plastic tanks. For high accuracy the S275 is ideally mounted horizontally at the point where an alarm or control signal is required. However, the switch can be mounted vertically – contact Fozmula with your application requirements.

SPECIFICATION

Liquid types:	Water based liquids such as coolant or washer fluid.
Electrical rating	
Supply voltage:	9-36 VDC.
Supply current:	7 mA + source output.
Max. load current:	20 mA (source).
Alarm delay time:	0 to 25 s rising or falling (factory set).
Connection:	4 way Delphi Packard Metri-Pack 150 series connector.
Power up delay:	0 to 10 s (factory set).
Power up state:	'In Liquid' or 'In Air' (factory set).
Output type:	Source (supply voltage less typically 2.7 V @ 10 mA).
Output pin:	Pin D.
Output state:	Source On / Off in liquid (factory set).

Construction

Body:	Brass.
Probe:	PTFE.
Terminals:	Brass, Tin Plated.
Seals:	EPDM & FVMQ.
Connector:	PA66 30% Glass Filled Nylon.
Thread sealant:	Vibra-Seal 516 (taper thread variants only).

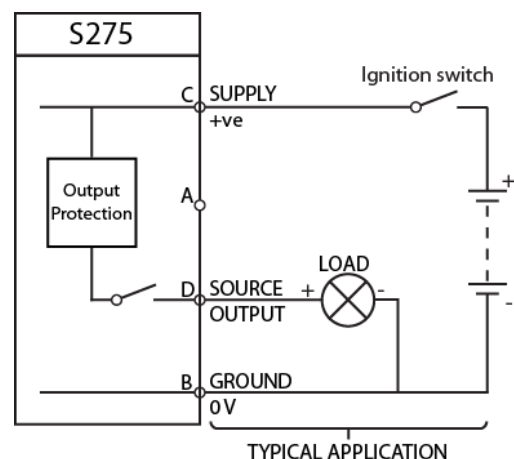
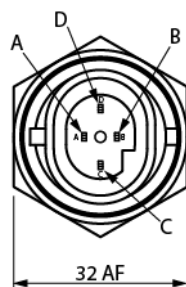
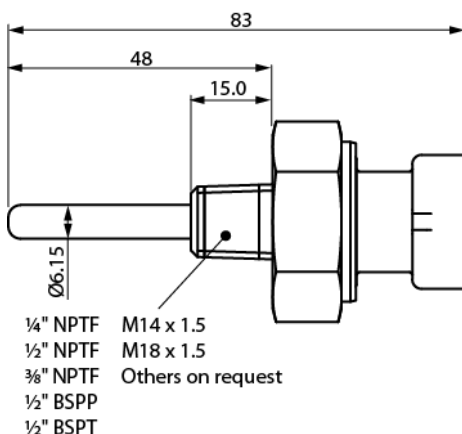
Connections: See diagram below.

Environmental Ratings

Ingress:	IP67 (with mating connector fitted).
Max. pressure:	5.0 Bar (72 psi)
Temp. range:	-40 °C to +125 °C
Weight:	70 g typical (dependent on thread size)
EMC:	ISO13766:2006

Vibration (15.3 Grms)

3 orthogonal planes for 3 hours per plane
Testing performed in accordance with BSEN 60068-2-64:1993
Drop: 1 m to concrete surface.



NOTE: PIN A IS NOT USED.

Recommended Installation Tightening Torques:

1/4" NPTF	9 Nm	M14x1.5	10 Nm
3/8" NPTF	11 Nm	M18x1.5	15 Nm
1/2" NPTF	20 Nm		
1/2" BSPP	15 Nm		
1/2" BSPT	20 Nm		

Optional accessories

C/K1: Packard Metri-Pack 150 series mating connector kit to suit harness wire cross sectional area of 0.8 to 1.0 mm² and sleeve Ø1.60 to 2.15 mm.

Hermes Close | Tachbrook Park | Warwick | CV34 6UF | United Kingdom
Tel: +44 (0)1926 466700 | Fax: +44 (0)1926 450473 | sales@fozmula.com

www.fozmula.com

E. & O. E. © Fozmula Limited.

Since the suitability of these products depends upon a wide range of factors not in our control, Fozmula Limited expects and understands that you will conduct the testing and evaluation necessary to determine that these products are suitable for your application. Whilst every effort is made to ensure the above details are correct at the time of printing, Fozmula Limited reserves the right to make material changes, and or technical changes without notification.

JP 29-Nov-16 3.8 rev 2