



## Industrial Reed Switch Fuel Level Sender with Pickup and Return

### **Application**

The Reed Switch Probe with pickup and return fits in tanks from 10" [254 mm] to 30" [762 mm] in depth. They are designed for top mounting in aluminum, plastic, steel or stainless steel fuel tanks in all types of industrial equipment. These senders are recommended for both on-road and off-road applications. They include special features and protection from corrosion (internal and external to the fuel tank) which makes them the quality standard for all industries.

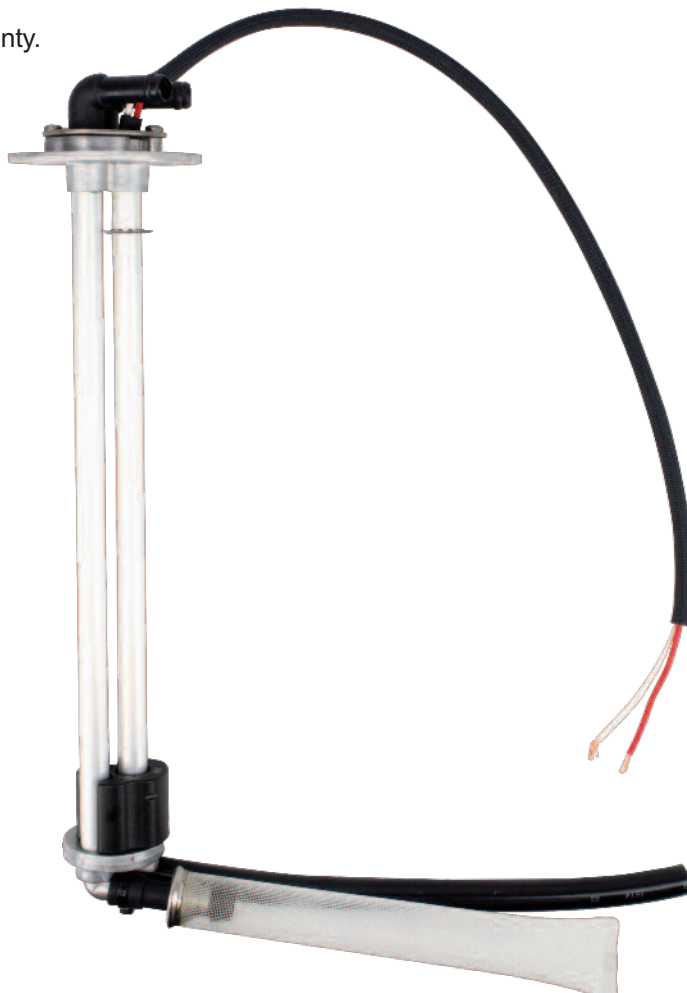
### **General Information & Features**

Standard mounting configuration is the SAE 5 hole bolt pattern. The head and support are made of aluminum, which makes it suitable for harsh off-road conditions. The sender is suitable for gasoline, ethanol, diesel and bio-diesel.

Industry standard output is 240-30 ohms with custom ohm ranges available. The close tolerances held on this series of reed switch fuel level sender will provide the proper signal for various 2" [50.8 mm] panel mounted receivers or ECM's.

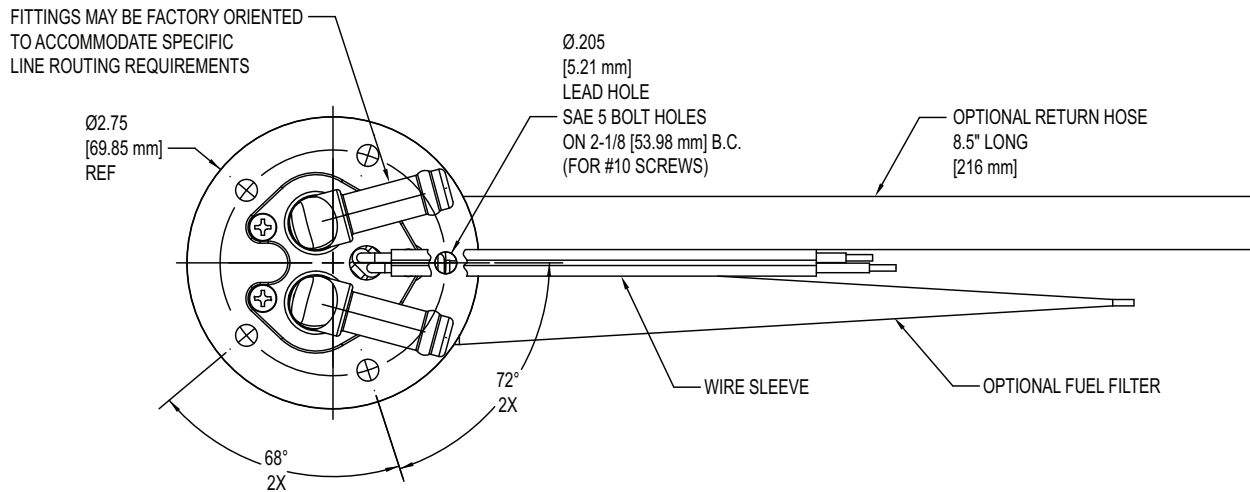
Our modular head and fitting design allows our pickup and return fittings to be oriented in various configurations without tooling costs.

Two year limited warranty.



*See reverse side for dimensional data, materials of construction, performance, and advice on how to order.*

*The Measure of Excellence*



## General Specifications\*

### Mounting

Designed for top mounting only

### Accuracy

System accuracy depends upon proper sender sizing. Resistance values are 30 ohms +/-2% at full and 240 ohms +/-2% at empty. System accuracy may depend upon tank shape. System accuracy may be less near full and empty. System accuracy may be less if tank is not level. System accuracy may be less depending upon indicator. This sender is not to be used for filling.

### Temperature Range

-40°F to 185°F, -40°C to 85°C

### Power

0.5 Watts maximum

### Leak Test

Passes 20 PSIG [1,4 Bar] test

### Gasoline Slosh Test

24 hours, 6 cycles per minute

### Vibration Test

8 hours each plane, 8.2 Grms, 5-2,000 Hz

### Salt Spray Test

96 hours external as mounted

### Drop Test

1m onto concrete from each orientation

### Power Wash Test

3,000 psi, 3 gal./min., 6" distance, 5 minutes

### Lead Pull Test

20 lbs. harness, 10 lbs. each wire

### U.S. Patents

9,683,874

## Materials of Construction\*

### Head

Aluminum with low copper content suitable for all fuels

### Support

Aluminum with low copper content suitable for all fuels

### Float

Closed cell nitrile ebonite

### Material Compliance

RoHS Compliant

### Filter

Optional (Nylon filter available with various micron sizes)

### Return Line

Optional nylon return line

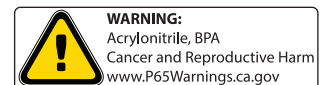
## Wiring Harness

18 awg. wires

Black & red PVC insulation.

Optional mounting gasket: Nitrile or Viton - Please specify.

\* Materials and specifications are subject to change without notice.



02/27/2018