

## Application

The 8700 series gauges are used to measure water levels in all types of low-pressure, non-heated systems. Ideal for boats, recreational vehicles, campers, etc. NOTE: For hot or pressurized water service, see 8400 Series.

## General Information & Features

The magnetic construction permits the complete sealing off of the inside liquid from the outside gauge head and dial allowing quick dial replacement without the loss of liquid or time.

The dial pointer is silicone-dampened. All dials, senders, and switches are instantly replaceable — there are just two screws to remove and replace.

The rugged gear drive is standard with shrouded, stainless steel, beveled gears designed to shed and work out any loose particles that might jam the gear action. All materials have been selected to provide outstanding durability in water-gauging applications.

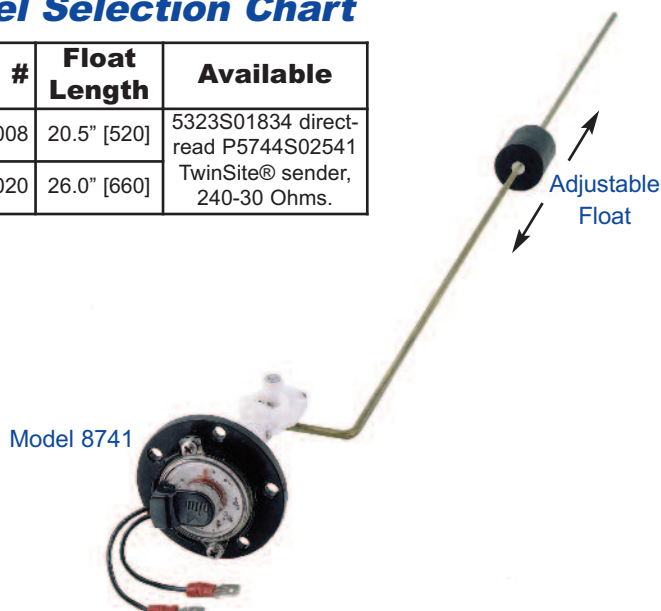
These water gauges are designed for top mounting only. They are equipped with float arms which are to be cut off to the proper length for the tank into which they will be installed. Data sheet DS-337 furnishes the proper cut lengths and instructions on how to install the float and crimp it in place.

This gauge has a 5-bolt SAE pattern flange which is attached to the tank with five #10 screws through

Model #	Magnet	Available Dials
8741	Large Alnico	Direct-reading dial or TwinSite® sender. Choice of 0-90, 240-30 Ohms.
8781	Small Alnico	Direct-reading dial only.

## Model Selection Chart

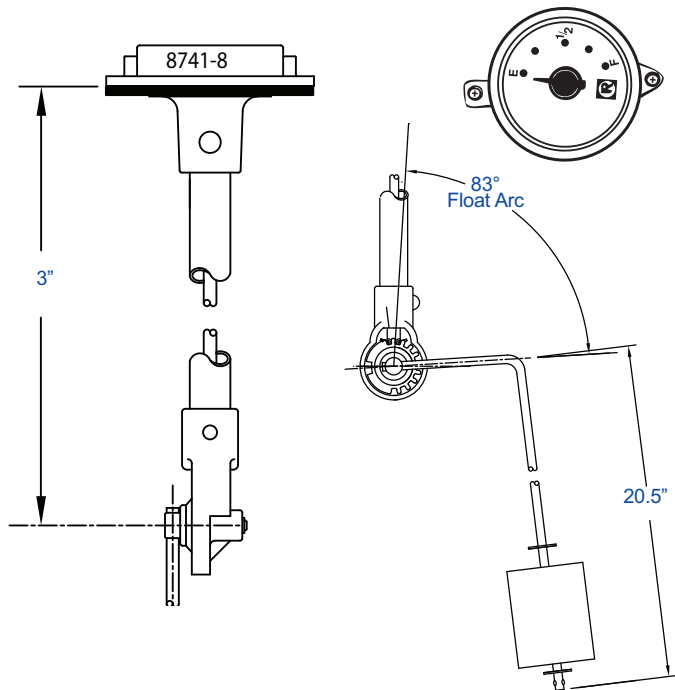
Model #	Float Length	Available
8741-00008	20.5" [520]	5323S01834 direct-read P5744S02541
8741-00020	26.0" [660]	TwinSite® sender, 240-30 Ohms.



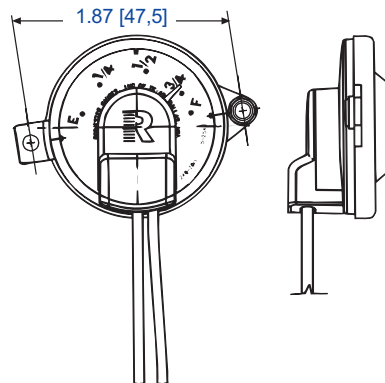
Tank Depth in Inches	Distance From Float Bend to Float Rod Cut-off point
6	3"
7	3 3/4"
8	4 5/8"
9	5 5/8"
10	6 5/8"
11	7 5/8"
12	8 5/8"
13	9 3/4"
14	10 3/4"
15	11 3/4"
16	12 3/4"
17	13 3/4"
18	14 7/8"
19	15 7/8"
20	16 7/8"
21	17 7/8"
22	18 7/8"
23	20"
24	21"
25	22"
26	23"
27	24"
28	25 1/8"
29	26 1/8"
30	27 1/8"
31	28 1/8"
32	29 1/8"
33	30 1/4"
34	31 1/4"
35	32 1/4"
36	33 1/4"

# 8700 Series Adj. Adjustable Liquid-Level Gauges

Direct reading gauge with 5323S01834 dial



TwinSite® Dial, 0-90 ohms or 240-30 ohms



Part #	Description	Ohms
P5636S02541	Wire Leads	240-30
P5744S02541	.250 Male Tab	
P5872S02684	Wire Leads	0-90

## General Specifications \*

### Mounting

Recommended for top mounting only.

### Accuracy

Accuracy depends upon proper gauge sizing. Junior dials  $\pm 7\%$ , TwinSite® dials  $\pm 12\%$ . Accuracy may be less depending upon tank shape. Accuracy may be less near full and empty. Accuracy may be less if tank is not level. This gauge is not to be used for filling. All accuracy estimates are expressed as a percent of full scale.

### Temperature Range

Standard range is  $-40^{\circ}\text{F}$  to  $158^{\circ}\text{F}$ ,  $-40^{\circ}\text{C}$  to  $70^{\circ}\text{C}$ .

### Shock

Suitable for mobile applications.

### Vibration

Suitable for mobile applications.

### Power

0.5 watts maximum for TwinSite® versions.

### Tank Pressure

0-10 psig [0 to 0, 68 Bar].

### Approvals

UL recognized for marine water service.

Note: For installation instructions see MS-533.

## Materials of Construction \*

### Head

Lightweight injection molded polyester SAE gasoline gauge flange (2 1/8" [54] bolt circle for five #10 screws not furnished).

### Centershaft, Support, & Float Rod

Brass.

### Gears, Cross Stud, & Bearings

Stainless steel.

### Drive Magnet

Plated Alnico.

### Gear Housing

Acetal.

### Float

Nitrile rubber.

### Gasket

Buna-N, 0015-00423.

### Direct Reading Dial

Hermetically sealed polycarbonate.

### TwinSite® Dial

Polyamide.

### Dial Screws

Plastite 0040-00479.

## When ordering, specify:

1. Gauge model number.
2. Choice of dials.

\* Materials and specifications are subject to change without notice.  
Pressure ratings subject to change due to temperature and other environmental considerations.

05/12/2016