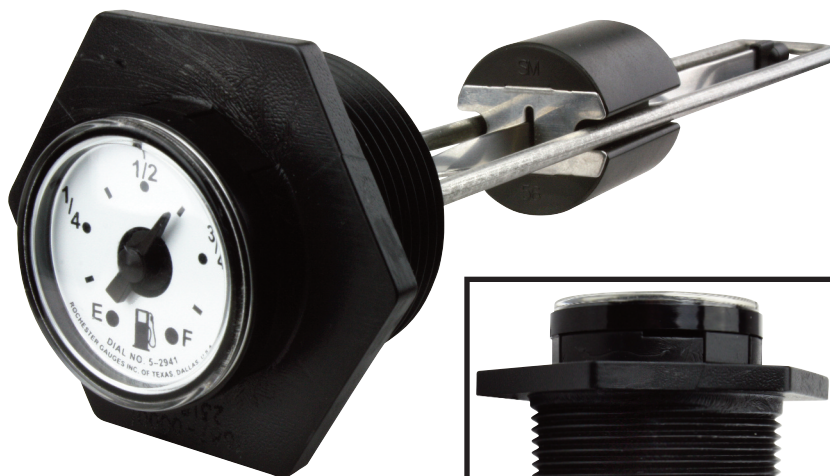




1 1/2" NPTF Threaded Head Spiral Gauges

Application

The 8687 Junior Top Mount Model Threaded Head Medium Duty Spiral Gauge is designed for use in measuring liquid levels in gasoline, diesel fuel, bio-diesel, hydraulic and lubricating oils where space restrictions prevent the use of a swing-arm style mechanical gauge. It is ideal for medium duty construction & agriculture, lawn & garden, marine and recreational vehicle applications.

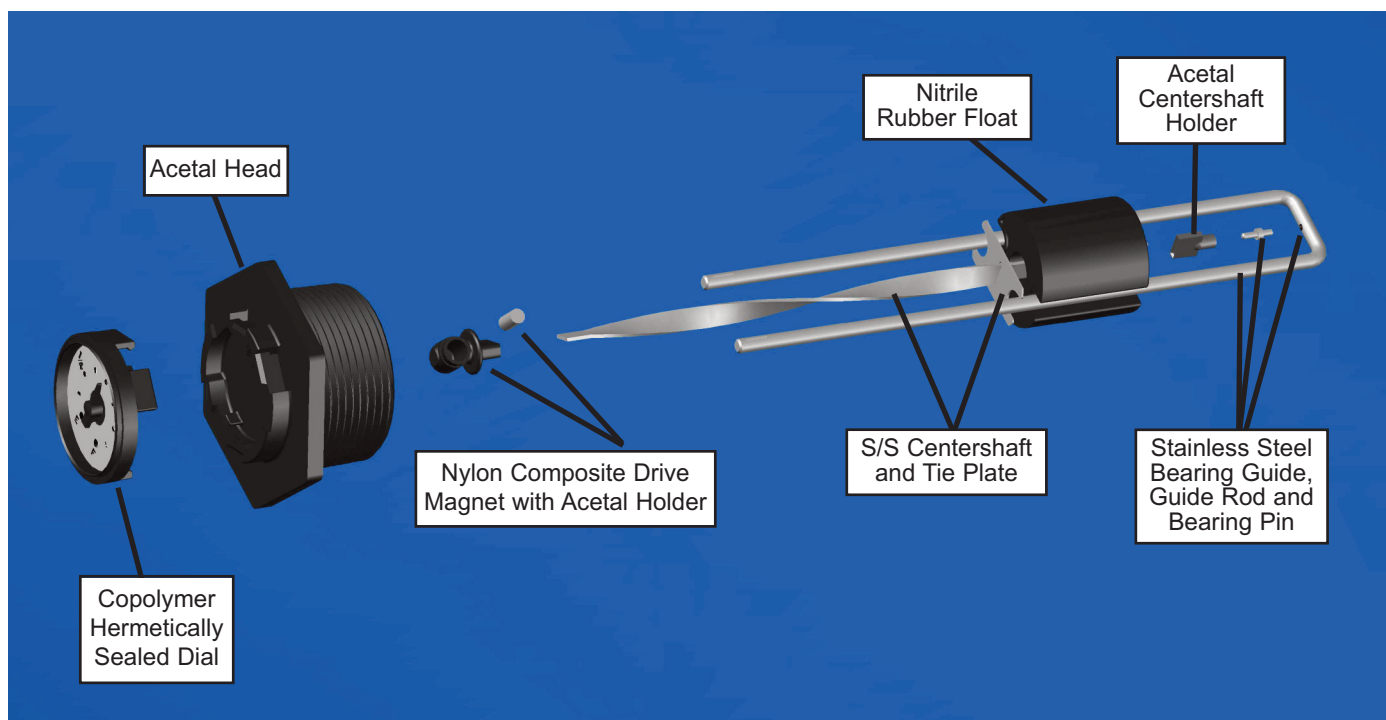


General Information & Features

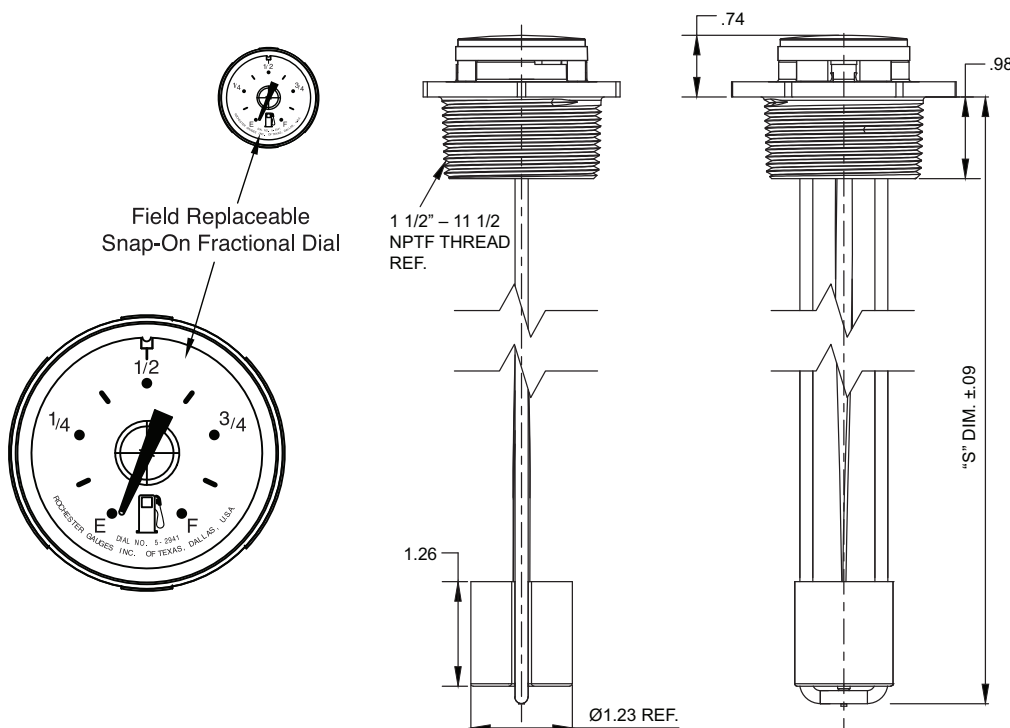
- Field Replaceable Snap-On Fractional Dial
- Solid One-Piece Head Construction, No-Leakage Path to Dial

The Threaded Head mounting of the 8687 Spiral Gauge allows a tight seal that restricts vapor loss. The "Screw In" mounting contributes to the gauges adaptability for use in restricted areas.

The 8687 Threaded Head Spiral Gauge is designed for top mounting with an easy to read fractional dial. It is available in lengths from 6 to 20 inches.



See reverse side for dimensional data, materials of construction, performance, and advice on how to order.



The Rochester magnetic liquid level gauge operates simply by means of a float actuating a powerful magnet inside the container which in turn provides an invisible "magnetic coupling", through a solid head, with the magnet on the pointer in the dial chamber. Thus the gauge head completely seals off the liquid in the container so the dial may be removed and replaced quickly anytime without loss of liquid or vapor.

General Specifications*

Mounting

Designed for top-mounting only. Gauge uses 1 1/2" NPTF threaded head.

Accuracy

Accuracy depends upon proper gauge sizing. Direct read dials +/-7%. Accuracy may be less depending upon tank shape. Accuracy may be less near full and empty. Accuracy may be less if tank is not level. This gauge is not to be used for filling. All accuracy estimates are expressed as a percent of full scale.

Temperature

Standard operating range is -40°F to 158°F, -40°C to 70°C.

Shock & Vibration

Suitable for mobile, off-road medium duty, and marine applications.

Tank Pressure

0 to 14.5 psig [0 - 1.0 Bar] maximum.

Tank Opening Details

See drawing below.

Note: For gauge installation instructions see MS-516.

When ordering, specify:

1. Gauge model number.
2. Tank depth.
3. Riser height, if any.

NOTE: Materials and specifications are subject to change without notice. Pressure ratings subject to change due to temperature and other environmental considerations.

Materials of Construction*

Head

Acetal.

Guide Rod

Stainless steel.

Centershaft

Stainless steel.

Tie Plate

Stainless steel.

Guide & Bearing Pin

Stainless steel.

Float

Nitrile Ebonite.

Drive Magnet

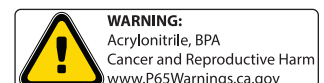
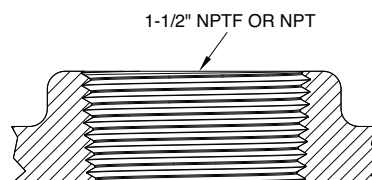
Nylon 12 composite.

Standard Dial

Copolymer, hermetically sealed, gasoline resistant.

Bearings

Acetal



03/04/2019