



**ROCHESTER  
GAUGES, INC.**

**Stainless Steel, Magnetic  
Liquid-Level Gauges**

ISO 9001:2008 CERTIFIED

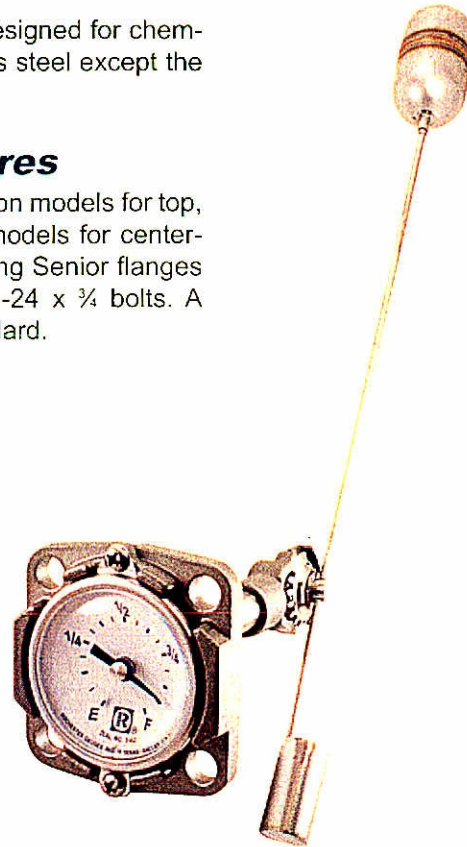
**6400  
Series**

**Application**

The 6400 Series Senior Gauges are especially designed for chemical service with all wetted parts made of stainless steel except the nickel-plated Alnico drive magnet.

**General Information & Features**

The 6400 Series gauges are available in gear-action models for top, centerline or angle mounting, or in lever-action models for centerline mounting only. They are mounted to tank using Senior flanges 2 1/2" bolt circle [63,5] by four #0040-00666 5/16" -24 x 3/4 bolts. A #0015-00462 spiral-wound, Teflon gasket is standard.



Typical 6480 Gauge

**Stainless Steel, Magnetic  
Liquid-Level Gauges**

Model #	Action	Mounting	Dial, Sender or Switch Data
6440	Gear	Top	Senior TwinSite® Sender in choice of 0-30, 0-90, or 240-30 Ohm ranges. Direct-reading dials may also be used.
6443		C/L or Angle	
L6443	Lever	C/L	
6450	Gear	Top	Standard switch #5023S00778 S.P.S.T., VAC/50 VDC 1/2 Amp. Please furnish tank drawings and switch points so proper gauge and calibration can be supplied. Other switches available, see DS-364.
6453		C/L or Angle	
L6453	Lever	C/L	
6460	Gear	Top	#5002S00570 Senior side-reading fractional
6480			#5002S00062 Senior direct-reading fractional
6483		C/L or Angle	
L6483	Lever	C/L	#5002S00547 Senior direct-reading fractional
6490	Gear	Top	#5013S00568 4" fractional dial
6493		C/L or Angle	
L6493	Lever	C/L	#5013S00857 4" fractional dial

Gallonge and percentage dials are available for models 6480 through L6493 at extra cost.

See reverse side for dimensional data, materials of construction, performance, and advice on how to order.

12/07/2015

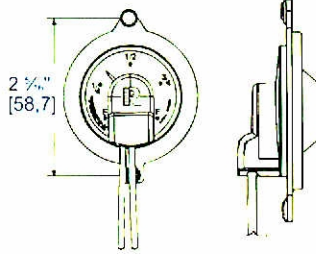
The Measure of Excellence



## 6400 Series

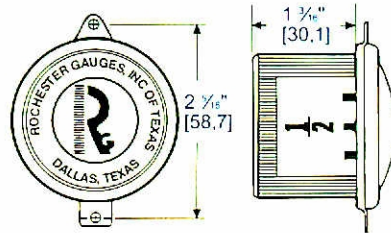
# Stainless Steel, Magnetic Liquid-Level Gauges

### Sr. Twinsite® Sender



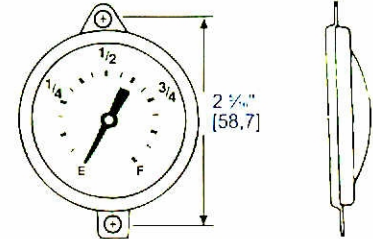
# 5025S00570

### Sr. Side-Reading Dial

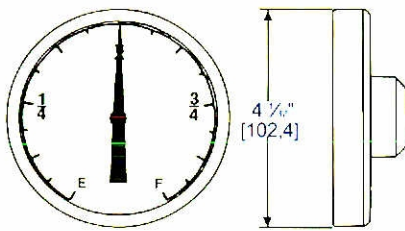


# 5002S00062

### Sr. Direct-Reading Dial

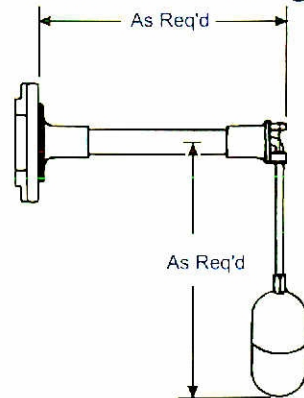


### # 5013S00456 Standard 4" Dial



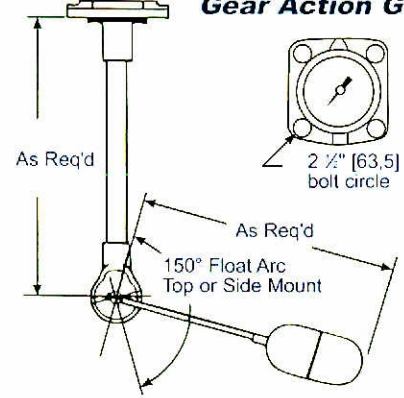
**NOTE:** This dial is used in conjunction with 93-2 mounting bracket and 39-2 bezel.

### Lever Action Gauge



140° Standard Float Arc

### Gear Action Gauge



## General Specifications\*

### Accuracy

Accuracy depends upon proper gauge sizing. Senior dials +/-6%, TwinSite® dials +/-10%. Accuracy may be less depending upon tank shape. Accuracy may be less near full and empty. Accuracy may be less if tank is not level. This gauge is not to be used for filling. All accuracy estimates are expressed as a percent of full scale.

### Recommended Mounting-Screw Torque

12 lb.-ft. [16,4 Nm]

### Temperature Range

Standard operating temperature range -40°F to +158°F, -40°C to 70°C. +350°F, 177°C available on special order.

### Shock

Passes MIL-S-901 B Naval Standard Shock Test.

### Vibration

Passes MIL-STD-167 Naval Standard Vibration Test.

### Power

0.5 watts maximum for TwinSite® versions.

### Maximum Service Pressure

500 PSIG [34 Bar] (Standard). Service pressure up to 575 PSIG [39,6 Bar] available on special order.

### Approval

These direct indicating gauges are UL listed for flammable liquids.

Note: For installation instructions see MS-501/502 (mounting standard).

## Materials of Construction\*

**Head, Centershaft, Support Tube, Gears, Cross Stud, Gear Housing, Bearings, Float, & Float Rod**  
Stainless steel.

### Drive Magnet

Plated Alnico.

### Mounting Bolts

Stainless steel.

### Mounting Gasket

Teflon and stainless steel.

### Direct-Reading Dial

Aluminum with acrylic crystal, hermetically sealed.

### Side-Reading Dial

Aluminum with polycarbonate crystal, hermetically sealed.

### Standard 4" Dial

Aluminum with glass crystal, hermetically sealed.

### TwinSite® Sender

Polyamide.

## When Ordering, Specify:

1. Gauge model number.
2. Tank diameter and riser height.
3. Mounting location.
4. Ohm range on TwinSite® versions.
5. Preferred switch on switch gauges, if other than standard.
6. Service pressure.
7. Any listed options.

\* Materials and specifications are subject to change without notice.  
Pressure ratings subject to change due to temperature and other environmental considerations.

12/07/2015