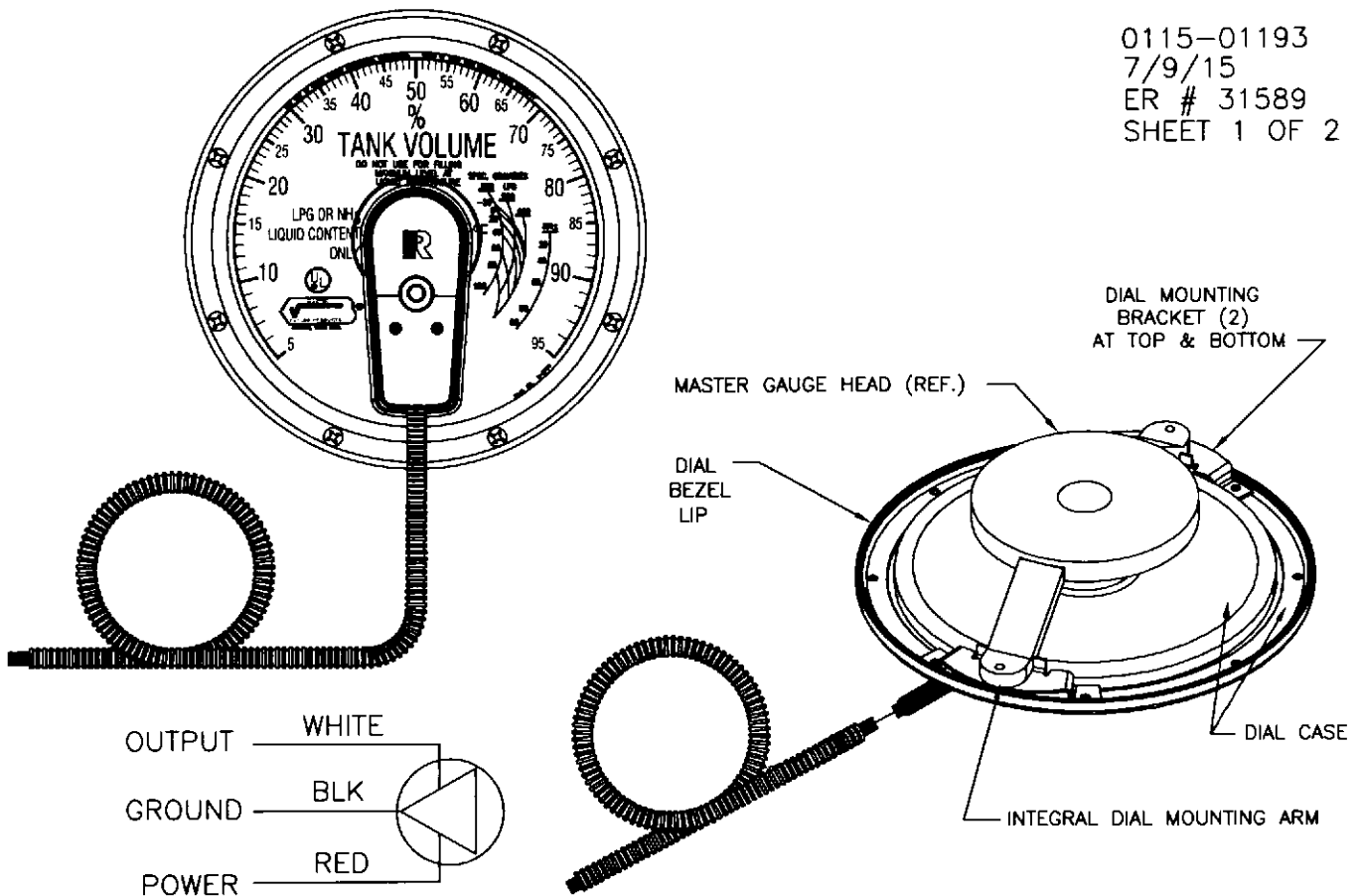


0115-01193
7/9/15
ER # 31589
SHEET 1 OF 2



INSTRUCTIONS FOR ATTACHING THE 8" MR DIAL

The Master gauge head has two integral dial mounting arms. The Master gauge dial is attached to these arms using two #10 bezel-screws, one per arm.

1. Note and record the pointer reading on Master gauge dial. Remove dial from Master gauge by removing two #10-32 bezel-screws, one at 6:00 O'clock and one at 12:00 O'clock.
2. Remove mounting hardware from new 8" MR dial. Remove four #10-32 x 1/2" bezel-screws at 11:00 O'clock, 1:00 O'clock, 5:00 O'clock and 7:00 O'clock. Retain these screws, plus four #10-32 square nuts, two sheet metal dial-mounting brackets, and two #10-32 flat head screws. NOTE: One flat head screw is trapped under each bracket.
3. Using two flat head screws, attach dial-mounting brackets to the arms on Master gauge head. The screw slots in the upper bracket should be open to the top and the slots in the lower bracket open to the bottom.
4. Rotate a magnet or steel tool near center rear of new dial to rotate pointer to approximate the pointer reading you recorded from the old dial. Place dial bezel lip over the dial-mounting brackets. Use the four screws and square nuts to secure dial to brackets.
5. Observe dial pointer reading and assure that it is within a few percentage points of the recorded reading from old dial.
6. Remove cover & snap in MR module.

WARNING: DO NOT REMOVE GAUGE MOUNTING NUTS OR BOLTS. TANK MAY CONTAIN HIGH PRESSURE AND FLAMMABLE GAS. A HAZARD OF FIRE OR EXPLOSION MAY EXIST IF GAUGE MOUNTING NUTS OR BOLTS ARE LOOSENED OR REMOVED. IMPROPER INSTALLATION OR USE OF THIS DIAL MAY CAUSE SERIOUS INJURY OR PROPERTY DAMAGE.

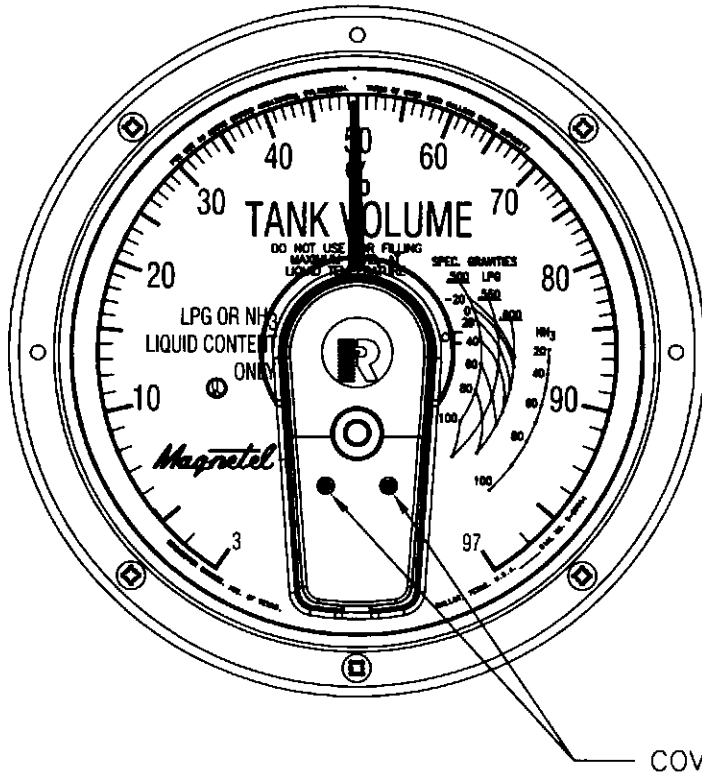
CAUTION: IMPROPER DIAL SELECTION OR APPLICATION MAY RESULT IN INACCURATE GAUGE READINGS. RELEASE OF TANK CONTENTS MAY OCCUR IF TANK IS OVERFILLED. FUEL EXHAUSTION MAY OCCUR IF TANK CONTENTS ARE LESS THAN INDICATED. THIS DIAL IS NOT A SUBSTITUTE FOR A FIXED LIQUID LEVEL GAUGE OR WEIGHT MEASURING DEVICE THAT MAY BE REQUIRED FOR FILLING.

USE WITH 9701-00054 OR EQUIVALENT MR MODULE.

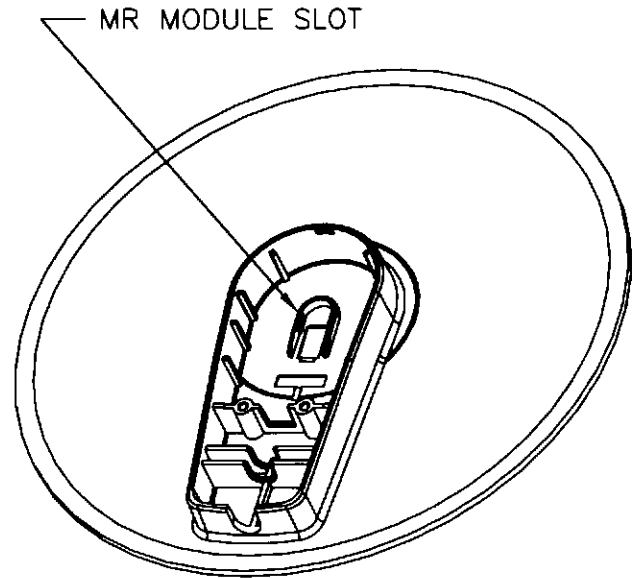
SEE DS-1781 FOR MODULE INFORMATION.

MR MODULE INSTALLATION PROCEDURE FOR 8" R3D DIALS

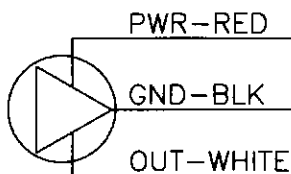
8" MR READY DIAL



MODULE COVER REMOVED



1. Remove cover screws (#1 Phillips).
 2. Remove all dirt and debris from module cavity.
 3. Slide module into slot on dial from edge of dial. Do not attempt to install module vertically.
 4. Apply thumb pressure in area provided and push module toward center of dial until it snaps into place.
- CAUTION:** Attempts to remove transmitter from dial may result in damage to transmitter, dial, or both.
5. Discard rubber plug if equipped.
 6. Press convoluted plastic conduit into slots below module.
 7. Replace module cover & cover screws.



WARNING: Do not remove gauge mounting screws or bolts. Do not unscrew gauge heads that are screwed into tank. Tank may contain high pressure and flammable gas. A hazard of fire or explosion may exist if gauge mounting screws, bolts or gauge heads are loosened or removed.