



**ROCHESTER
GAUGES, INC.**

ISO 9001:2008 CERTIFIED

Reed Array Fuel Level Sender with adjustable float arm

**9371
Reed
Array
Adj.**

Application

The Reed Array line of fuel senders fit 4" [101.6 mm] to 24" [609.6 mm] tank depths. The sender is designed for top mounting in aluminum, plastic, or stainless steel fuel tanks in all types of applications. It includes special features and protection from corrosion (internal and external to the fuel tank) which makes it the quality standard for the industry.

General Information & Features

The Reed Array Sender comes standard with a SAE 5 hole mounting bolt pattern, with the lead hole at 12:00 and the float arm at 3:00. The head and support are molded from UV stabilized Acetal and are suitable for medium-duty off-road conditions. The electrical circuit is sealed to protect components from fuel, contaminants, water and the molding-curing process (out-gassing). This Reed Array Sender offers dependable, long-lasting Reed Switch and magnet technology. The sender is suitable for gasoline, ethanol, diesel, bio-diesel and non-potable water.

Industry standard output: 240-30 ohms. The close tolerances held on this series of Reed Array Fuel Level Sender will provide the proper signal for any of the popular 2" [50.8 mm] panel mounted receivers.

The float arm on this sender is 23" [584.2 mm] long measured from the pivot point to float, allowing it to be cut to an appropriate length to gauge any tank depth from 4" [101.6 mm] to 24" [609.6 mm].

The bending process is to be done prior to the float assembly. After installation of float wire, attach push nut to wire and clip wire.



Three year limited warranty.

NOTE: See data sheet DS-1684 for complete installation instructions.

Components Shipped Loose

Push Nut



Adjustable
Float Arm &
Float Assembly



**Reed Array Fuel Level Sender
with adjustable float arm**

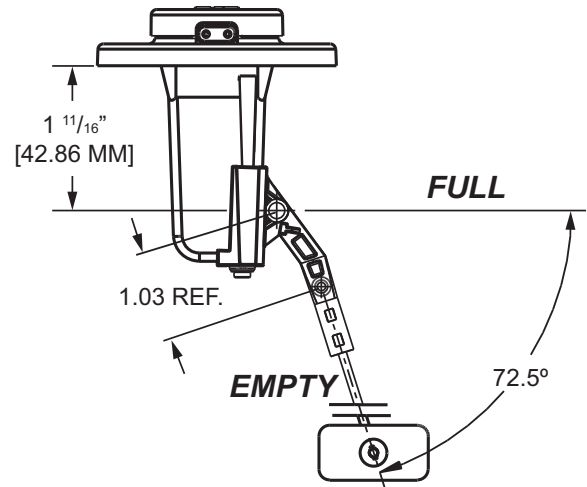
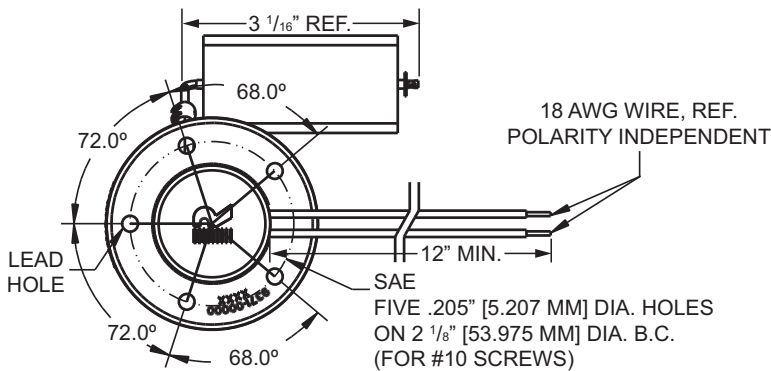
11/12/13

See reverse side for dimensional data, materials of construction, performance, and advice on how to order.

The Measure of Excellence

9371 Reed Array Adj.

Reed Array Fuel Level Sender with adjustable float arm



General Specifications*

Mounting

Recommended for top mounting only

Accuracy

Resistance accuracy at full 30 ohms and empty 240 ohms within $\pm 2\%$. System accuracy depends upon proper sizing of the float length to a geometric tank.

Temperature Range

-40°F to 176°F, -40°C to 85°C

Power

0.5 Watts maximum

Leak Test

Passes 16 PSIG [1,1 Bar] test

Fuel Sender Testing

Meets requirements of ISO 10088, ABYC H-24, 33 CFR 183.590 and ISO 8846. Industry test requirements were conducted at an independent laboratory.

Dry Bench Cycling - Empty to Full

5,000,000 cycles

Vibration Test

6 hours each plane, 4.2 Grms, 24-2,000 Hz

Shock Test

1,000 cycles @ 25G peak acceleration with 8ms duration

Fire Test

No loss of gasket seal during 2 1/2 minute fire test

Ignition Protection Test

50 empty to full to empty cycles in explosive atmosphere without ignition

Wire Pull Test

10 lbs. without damage

Materials of Construction*

Head & Cover

UV stabilized Acetal

Body & Pivot

UV stabilized Acetal

Float

Nitrile rubber

Material Compliance

RoHS Compliant

Wiring Harness

18 awg. wires

Black & red PVC insulation.

Optional mounting gasket: Nitrile or Viton - Please specify.

Optional Resistance Output

0-180 ohms – European Standard

* Materials and specifications are subject to change without notice.

Note: See data sheet DS-1684 for complete installation instructions.